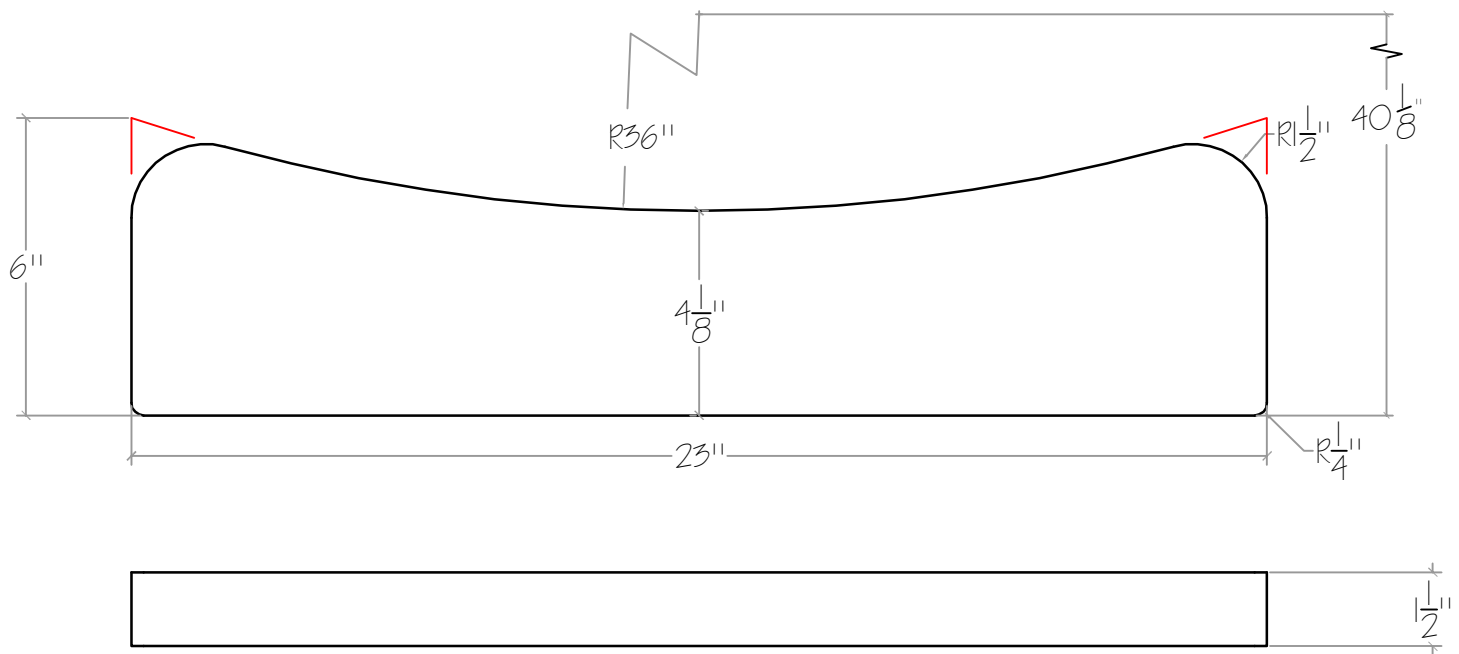
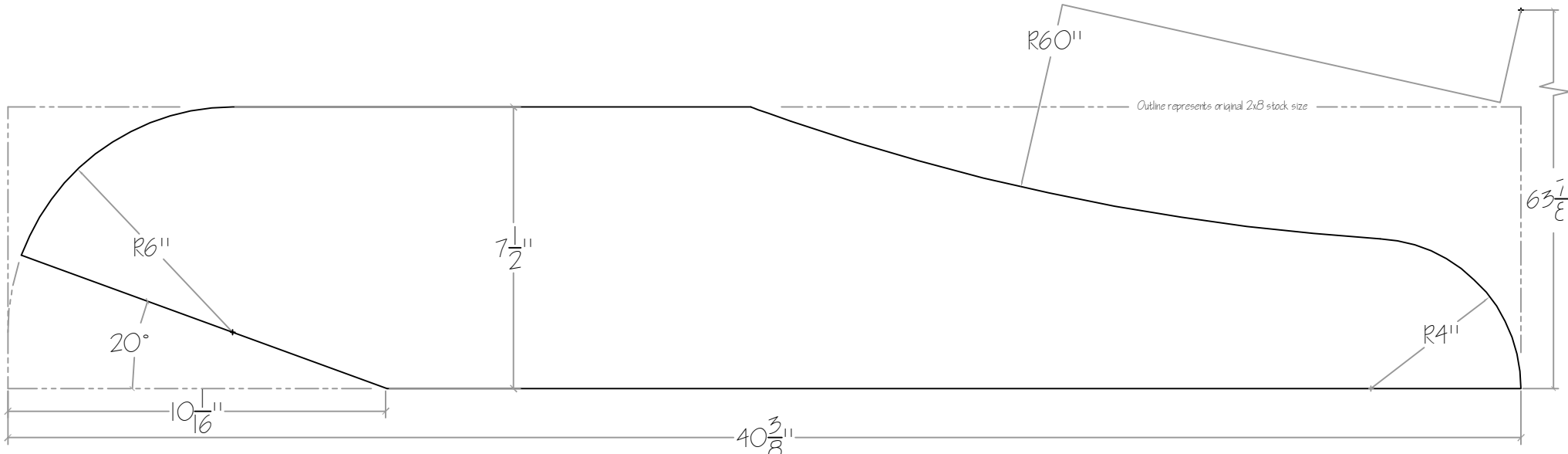
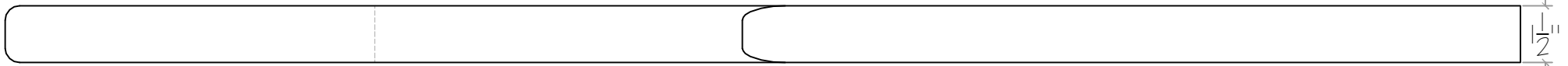


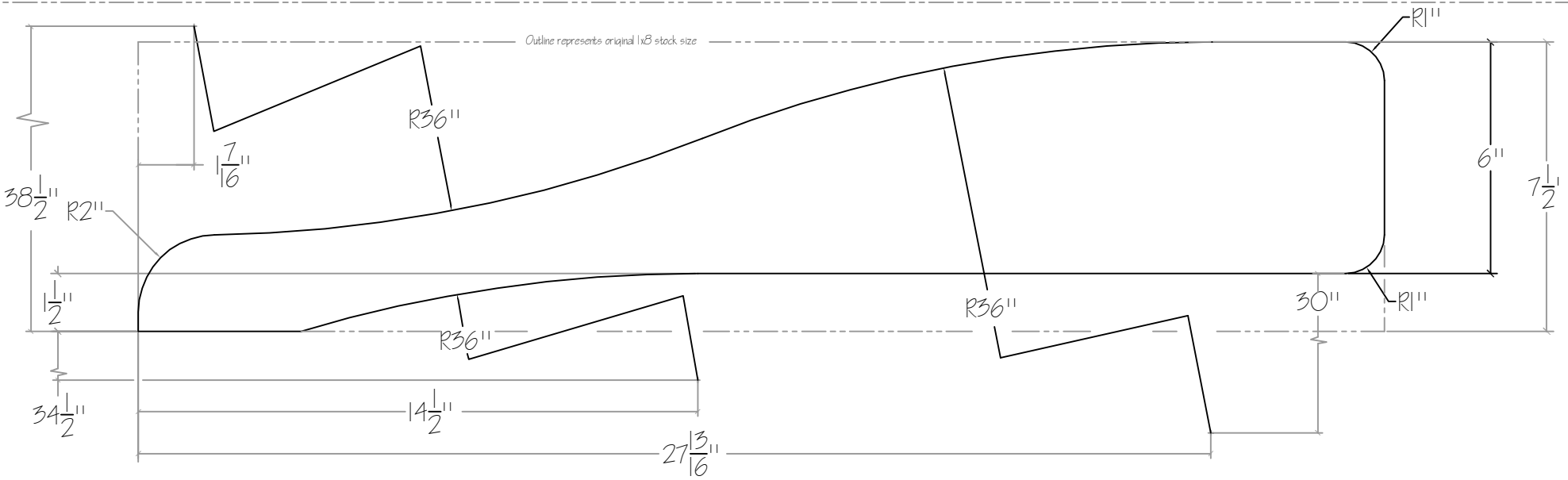
Lower Back-Bone



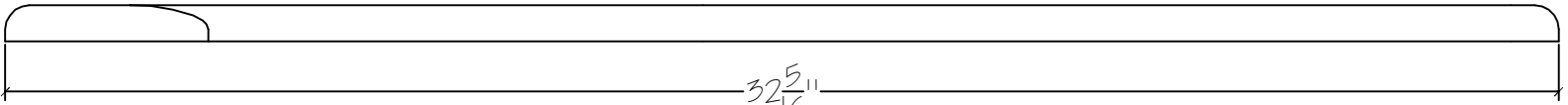
Upper Back-Bone

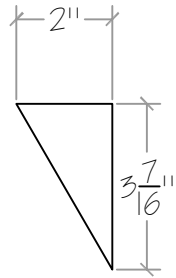


Side-Lea

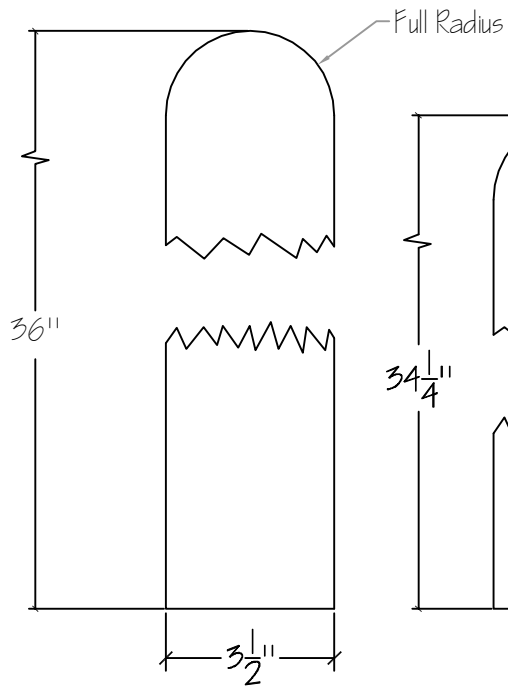


32 5/16"
Arm

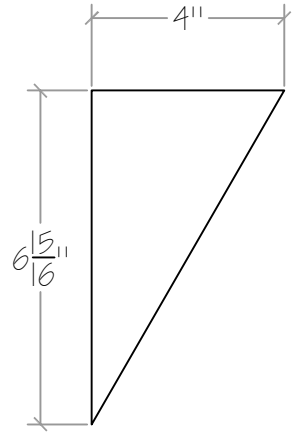
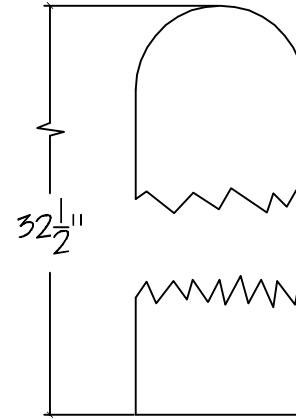
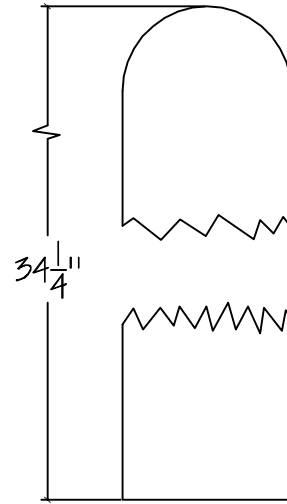




Rear Arm Support (2 Req'd.)

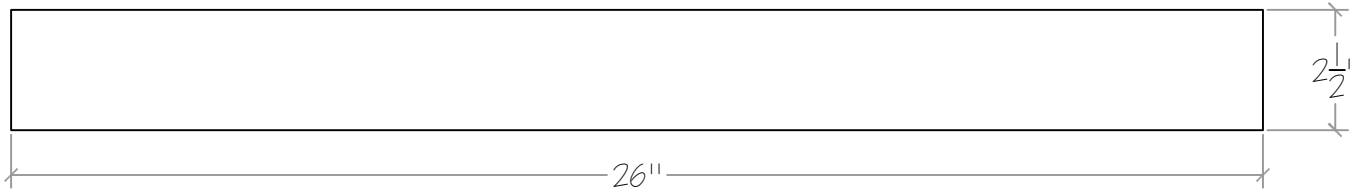


Back Rests

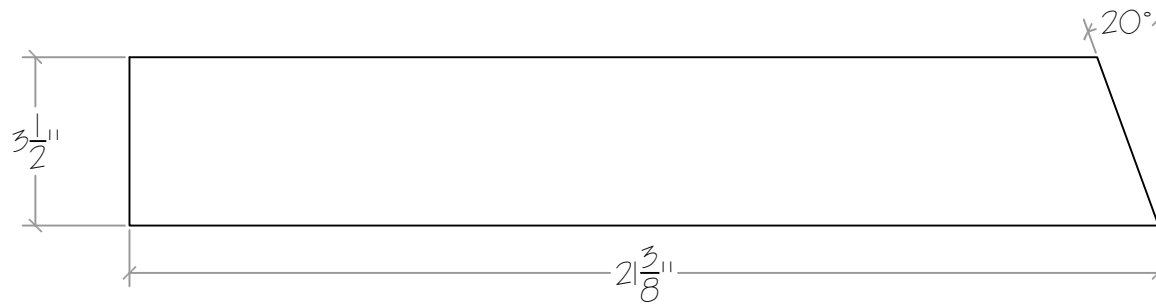


Front Arm Support (2 Req'd.)

Seat Cross Members (7 Req'd.)



Rear Riser (2 Req'd.)



Front Lea (2 Req'd.)

